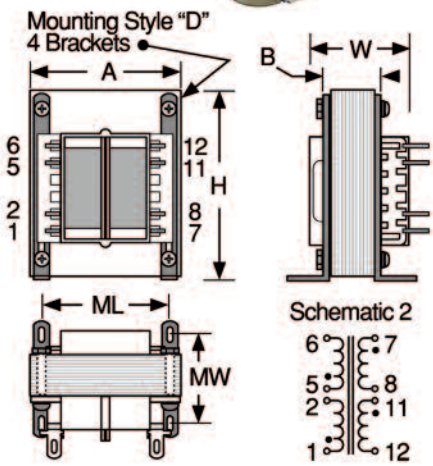
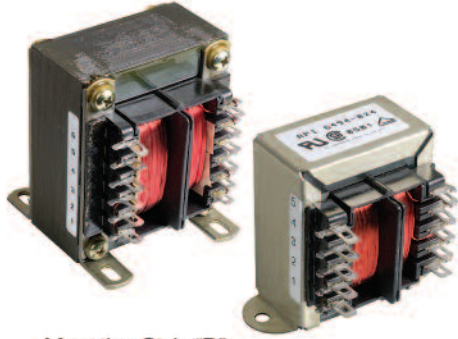
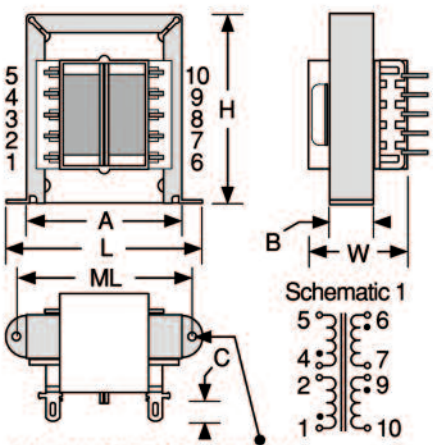


SERIES

6494R-6498R



VDE Quick Connect Transformers



PART NUMBER	SECONDARY VOLTAGE		SECONDARY CURRENT		PARALLEL CONNECTION		MOUNTING STYLE	
	PRIMARY VOLTAGE	VA	CONNECTION	SERIES	CONNECTION	SERIES	SCHEMATIC	SERIES
6494-010	25	115/130	10.0	5.0	2.50	5.00	1	C
6494-012	25	115/230	12.6	6.3	2.00	4.00	1	C
6494-016	25	115/230	16.0	8.0	1.60	3.20	1	C
6494-020	25	115/230	20.0	10.0	1.25	2.50	1	C
6494-024	25	115/230	24.0	12.0	1.00	2.00	1	C
6494-028	25	115/230	28.0	14.0	0.90	1.86	1	C
6494-036	25	115/230	36.0	18.0	0.70	1.40	1	C
6494-230	25	115/230	230.0	115.0	0.11	0.22	1	C
6495-010	43	115/230	10.0	5.0	4.30	8.60	1	C
6495-012	43	115/230	12.6	6.3	3.40	6.80	1	C
6495-016	43	115/230	16.0	8.0	2.70	5.40	1	C
6495-020	43	115/230	20.0	10.0	2.20	4.40	1	C
6495-024	43	115/230	24.0	12.0	1.80	3.60	1	C
6495-028	43	115/230	28.0	14.0	1.50	3.00	1	C
6495-036	43	115/230	36.0	18.0	1.20	2.40	1	C
6495-230	43	115/230	230.0	115.0	0.19	0.38	1	C
6496-010	80	115/230	10.0	5.0	8.00	16.00	2	D
6496-012	80	115/230	12.6	6.3	6.30	12.60	2	D
6496-016	80	115/230	16.0	8.0	5.00	10.00	2	D
6496-020	80	115/230	20.0	10.0	4.00	8.00	2	D
6496-024	80	115/230	24.0	12.0	3.30	6.60	2	D
6496-028	80	115/230	28.0	14.0	2.80	5.60	2	D
6496-036	80	115/230	36.0	18.0	2.20	4.40	2	D
6496-230	80	115/230	230.0	115.0	0.35	0.70	2	D
6497-010	130	115/230	10.0	5.0	13.00	26.00	2	D
6497-012	130	115/230	12.6	6.3	10.30	20.60	2	D
6497-016	130	115/230	16.0	8.0	8.10	16.20	2	D
6497-020	130	115/230	20.0	10.0	6.50	13.00	2	D
6497-024	130	115/230	24.0	12.0	5.40	10.80	2	D
6497-028	130	115/230	28.0	14.0	4.60	9.20	2	D
6497-036	130	115/230	36.0	18.0	3.60	7.20	2	D
6497-230	130	115/230	230.0	115.0	0.57	1.14	2	D
6498-010	175	115/230	10.0	5.0	17.50	35.00	2	D
6498-012	175	115/230	12.6	6.3	14.00	28.00	2	D
6498-016	175	115/230	16.0	8.0	11.00	22.00	2	D
6498-020	175	115/230	20.0	10.0	8.80	17.60	2	D
6498-024	175	115/230	24.0	12.0	7.30	14.60	2	D
6498-028	175	115/230	28.0	14.0	6.25	12.50	2	D
6498-036	175	115/230	36.0	18.0	4.80	9.60	2	D
6498-230	175	115/230	230.0	115.0	0.76	1.52	2	D

*Complete part # must include series # PLUS the dash #

UL Certified Recognized component Underwriters Labs, Inc®; CSA Labeled
Primary Voltage Available in either 115V or dual 115/230V
Operating Frequency 50/60 Hz
Operating Temperature 130°C
 4000 V RMS Hipot
 Split bobbin non-concentric winding
 Designed to pass VDE creepage distance
Note Dots on schematic indicate like polarity

Physical Parameters & Mounting Information																						
	L		W		H		A		B		C		Pin width (sq.)		MW		ML		Weight		Screw size	# Terminals
	in.	mm	in.	mm	in.	mm	in.	mm	in.	mm	in.	mm	in.	mm	in.	mm	in.	mm	lbs.	kg		
6494	2.81	71.44	1.88	47.63	2.31	58.74	2.00	50.80	1.13	28.58	0.31	7.94	0.19	4.763	—	—	2.38	60.33	1.25	0.567	6	10
6495	3.13	79.38	2.06	52.39	2.69	68.26	2.25	57.15	1.13	28.58	0.19	4.76	0.81	20.64	—	—	2.81	71.44	1.60	0.726	6	10
6496	2.50	63.50	2.38	60.33	3.00	76.20	—	—	1.38	34.93	0.31	7.94	0.19	4.763	2.19	55.56	2.00	50.80	2.80	1.270	6	12
6497	2.81	71.44	2.88	73.03	3.38	85.73	—	—	1.63	41.28	0.38	9.53	0.25	6.350	2.50	63.50	2.25	57.15	4.10	1.860	8	12
6498	3.13	79.38	2.88	73.03	3.75	95.25	—	—	1.63	41.28	0.38	9.53	0.25	6.350	2.50	63.50	2.50	63.50	5.50	2.494	8	12