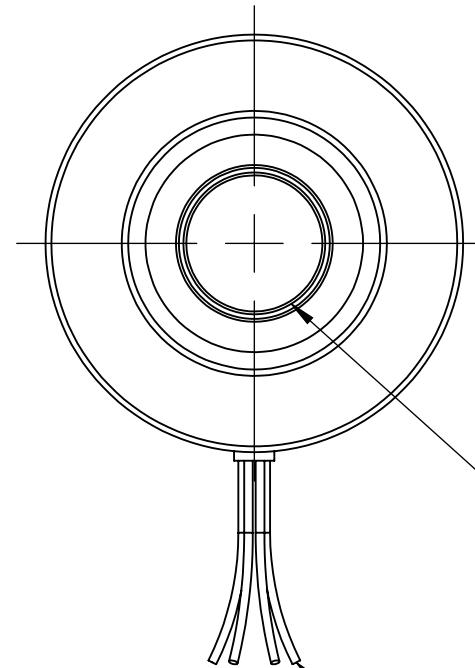


700 HOUSING SHOWN
SEE SHEET TWO AND THREE
FOR OTHER OPTIONS

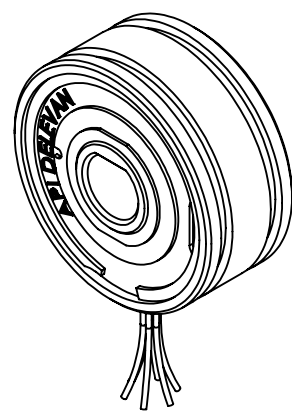


NOTES:

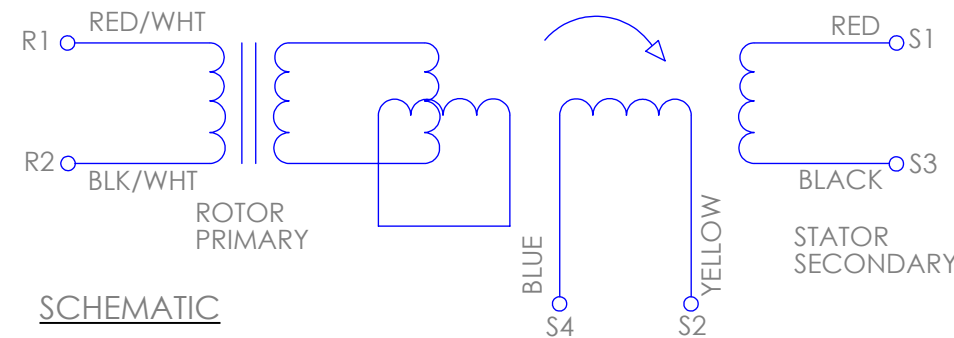
1. ROTOR & STATOR ARE A MATCHED PAIR. DO NOT INTERCHANGE ROTOR OR STATOR BETWEEN RESOLVERS.
2. ROTOR AND STATOR TO BE AXIALLY ALIGNED TO DATUM "B" \pm .015.
3. CUSTOMER MUST MAINTAIN SHAFT RUNOUT WITH RESPECT TO DATUM 'A' WITHIN .003 T.I.R.

SEE SHEET TWO
FOR BORE SIZES

SEE SHEET TWO
FOR LEAD OPTIONS



SHEMATIC



SHEMATIC

PHASING EQUATION

INCREASING ANGLE
FOR CW ROTATION OF ROTOR
FACING MOUNTING END.

$$E(S1-S3) = KE(R1-R2) \sin \theta$$

$$E(S2-S4) = KE(R1-R2) \cos \theta$$

TECHNICAL INFORMATION		
HIPOT, LEADS TO CASE, 500VAC	Max. mArms	2
HIPOT, INTERPHASE, 250VAC	Max. mArms	2
TEMPERATURE RANGE	°C	-55 TO +155
WEIGHT, APPROX	g	67
CONTINUOUS SPEED	Max. kRPM	20

UNLESS OTHERWISE SPECIFIED:
DIMENSIONS ARE IN INCHES [mm]
DIAMETERS CONCENTRIC .003 [.076] TIR
FACES PERPENDICULAR .003 [.076]
INSIDE CORNERS R.015 [.381]MAX
INTERPRETATION PER ASME
Y14.5M-1994



THIRD ANGLE PROJECTION

THE INFORMATION CONTAINED IN THIS DRAWING IS THE SOLE PROPERTY OF DELEVAN. ANY REPRODUCTION IN PART OR WHOLE WITHOUT THE WRITTEN PERMISSION OF DELEVAN IS PROHIBITED.

UNLESS OTHERWISE SPECIFIED:
REMOVE ALL BURRS AND BREAK
SHARP EDGES -.005/.010 [.127/.254]

TOLERANCES:
DECIMAL .001 [.254] .0005 [.127]
ANGLE \pm 0.5°
CHAMFER ANGLE \pm 10°

MACHINE SURFACES 63 [1.6]

APPROVALS DATE

DRAWN JDM 12/29/2022

CHECKED GMT 1/11/2023

DES ENG JDM 12/29/2022

API DELEVAN
<http://www.delevan.com>

SIZE 15 FRAMESIZE

SIZE DWG. NO. 15BRX OUTLINE

SCALE 3:2 SHEET 1 OF 3 CODE IDENT: 99800

**PART, ASSEMBLY AND ALL COMPONENTS
MEET EU ROHS DIRECTIVE**

REVISIONS				
REV	ECO	DESCRIPTION	DATE	CHECKED
1	-	NEW DRAWING	12/29/2022	JDM

NUMBERING

15BRX-H-WB-LL₀L_L

PLEASE CONTACT FACTORY FOR OTHER ELECTRICAL AND MECHANICAL OPTIONS.

HOUSINGS (H)				
VALUE	MOUNTING STYLE	OUTER DIAMETER	LENGTH	MATERIAL
700	SINGLE GROOVE	Ø1.449[36.80]	.635 [16.13]	ANODIZED ALUMINUM
702	DOUBLE GROOVE	Ø1.449[36.80]	.635 [16.13]	ALUMINUM
705	SINGLE GROOVE	Ø1.449[36.80]	.635 [16.13]	ALUMINUM
708	PILOT WITH FLANGE	Ø1.417[36.17]	.635 [16.13]	ALUMINUM

LEAD (L)	
VALUE	GAUGE
A	28 AWG (PTFE)
B	26 AWG (PTFE)
C	24 AWG (PTFE)
D	26 AWG (TEFZEL)

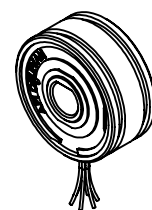
BORE (B)			
VALUE	BORE DIAMETER	BORE LENGTH	FEATURE
37	Ø .375/.376 [9.53/9.55]	.635 [16.13]	-
47	Ø .472/.474 [12/12.027]	.630 [16]	H8 TOLERANCE

LEAD OPTION (L ₀)	
VALUE	OPTION
1	FLYING LEADS
2	TWISTED PAIRS
3	TWISTED PAIRS WITH DRAIN
4	FLYING LEADS WITH TUBING
5	TWISTED PAIRS WITH SHIELDING

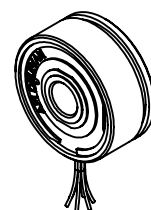
WINDINGS (W)						
VALUE	INPUT VOLTAGE Vrms	INPUT FREQUENCY KHz	INPUT CURRENT mArms	TRANSFORMATION RATIO	SPEED	ACCURACY arcmin
B	2	10	50	.98	1	20 SPREAD
D	8	8	50	.50	1	16 SPREAD
F	4	5	45	.50	1	20 SPREAD

LEAD LENGTH (L _L)	
VALUE	LENGTH
A	12[305]
B	16[406]
C	24[609]
D	60[1524]
E	80[2032]
F	120[3048]

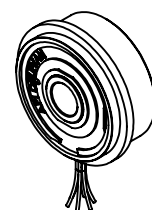
SEE SHEET 3 FOR DIMENSIONAL DIFFERENCES



702 HOUSING



705 HOUSING



708 HOUSING

UNLESS OTHERWISE SPECIFIED:
DIMENSIONS ARE IN INCHES [mm]
DIAMETERS CONCENTRIC .003 [.076] TIR
FACES PERPENDICULAR - .003 [.076]
INSIDE CORNERS R .015 [.381] MAX

INTERPRETATION PER ASME
Y14.5M-1994



THIRD ANGLE PROJECTION

THE INFORMATION CONTAINED IN THIS DRAWING IS THE SOLE PROPERTY OF DELEVAN. ANY REPRODUCTION IN PART OR WHOLE WITHOUT THE WRITTEN PERMISSION OF DELEVAN IS PROHIBITED.

UNLESS OTHERWISE SPECIFIED:
REMOVE ALL BURRS AND BREAK SHARP EDGES - .005/.010[.127/.254]

TOLERANCES:
DECIMAL .001 ± .01[.254] .000 ± .005[.127]
ANGLE .0.5°
CHAMFER ANGLE .10°

MACHINE SURFACES 63 [1.6]

APPROVALS	DATE
DRAWN JDM	12/29/2022

CHECKED GMT	1/11/2023
DES ENG JDM	12/29/2022

API DELEVAN
<http://www.delevan.com>

SIZE 15 FRAMESIZE

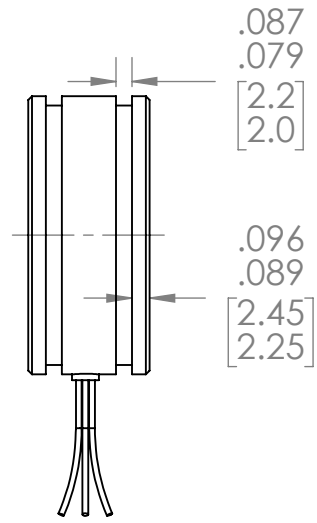
SIZE B	DWG. NO. 15BRX OUTLINE
-----------	---------------------------

SCALE 1:2 SHEET 2 OF 3 CODE IDENT: 99800

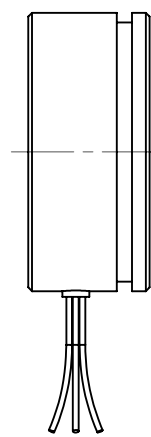
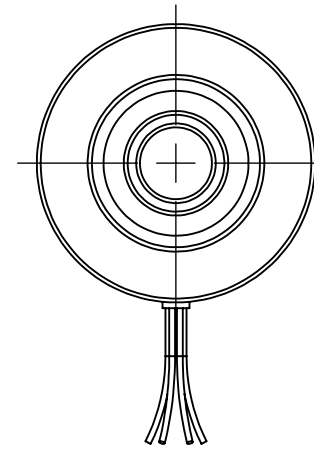
REVISIONS					
REV	ECO	DESCRIPTION	DATE	BY	CHECKED
1	-	NEW DRAWING	12/29/2022	JDM	-

D
C
B
A

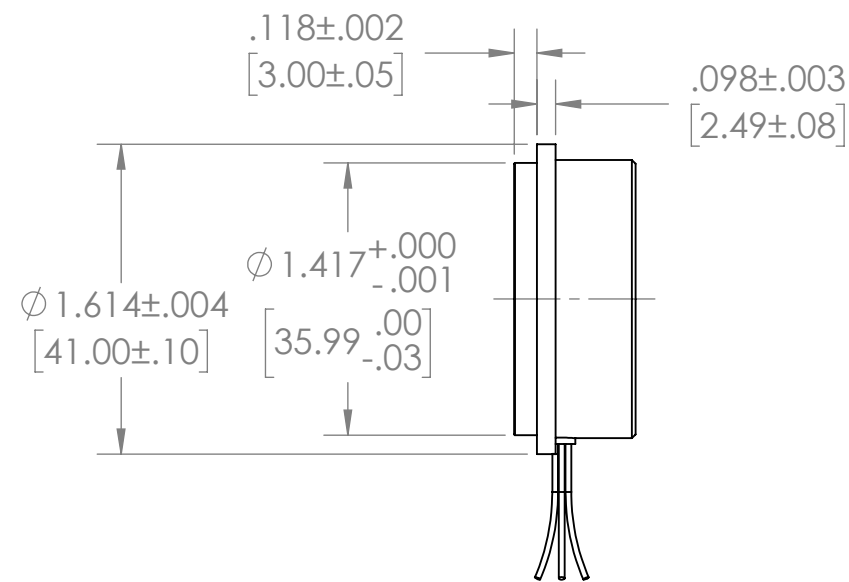
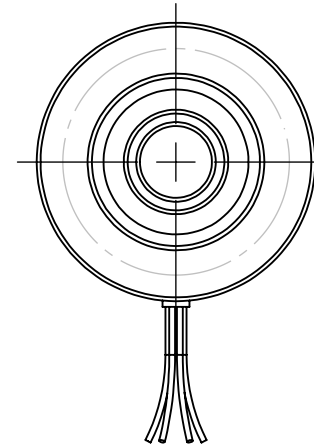
D
C
B
A



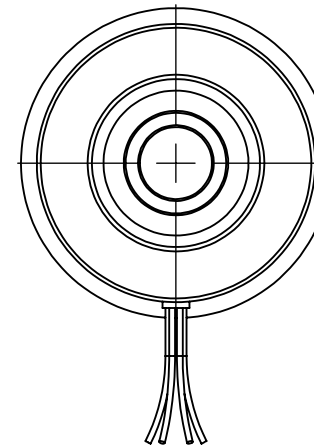
702 HOUSING



705 HOUSING



708 HOUSING



ALL DIMENSIONS ARE DIFFERENCES FROM 700

SOME DIMENSIONS MAY CHANGE TO ACCOMODATE CUSTOM CONFIGURATIONS

UNLESS OTHERWISE SPECIFIED:
DIMENSIONS ARE IN INCHES [mm]
DIAMETERS CONCENTRIC .003 [.076] TIR
FACES PERPENDICULAR .003 [.076]
INSIDE CORNERS R .015 [.38] MAX
INTERPRETATION PER ASME
Y14.5M-1994

THIRD ANGLE PROJECTION

THE INFORMATION CONTAINED IN THIS DRAWING IS THE SOLE PROPERTY OF DELEVAN. ANY REPRODUCTION IN PART OR WHOLE WITHOUT THE WRITTEN PERMISSION OF DELEVAN IS PROHIBITED.

UNLESS OTHERWISE SPECIFIED:
REMOVE ALL BURRS AND BREAK
SHARP EDGES -.005/.010 [.127/.254]

TOLERANCES:
DECIMAL .001 [.0254] .000 ±.005 [.127]
ANGLE ±0.5°
CHAMFER ANGLE ±10°

MACHINE SURFACES 63 [1.6]

APPROVALS	DATE
DRAWN JDM	12/29/2022
CHECKED GMT	1/11/2023
DES ENG JDM	12/29/2022

API DELEVAN
<http://www.delevan.com>

SIZE 15 FRAMESIZE

SIZE B	DWG. NO. 15BRX OUTLINE
SCALE 2:1	SHEET 3 OF 3
CODE IDENT: 99800	

8 7 6 5 4 3 2 1